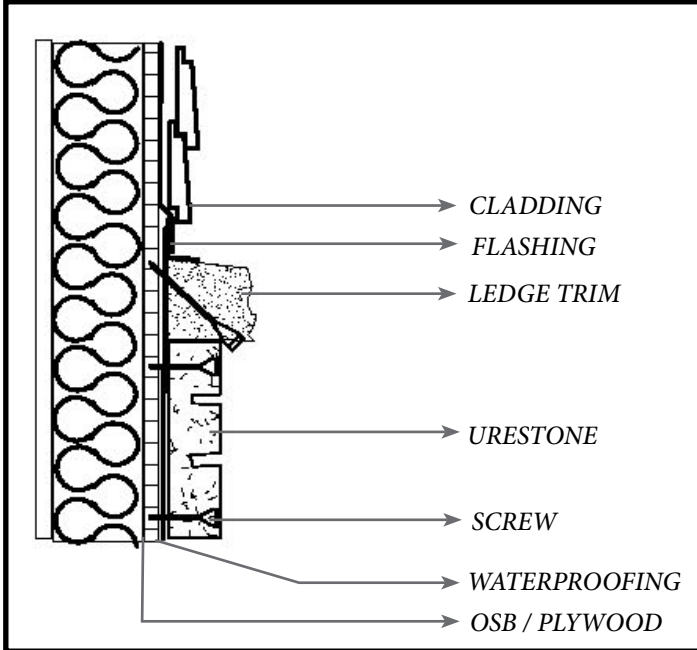


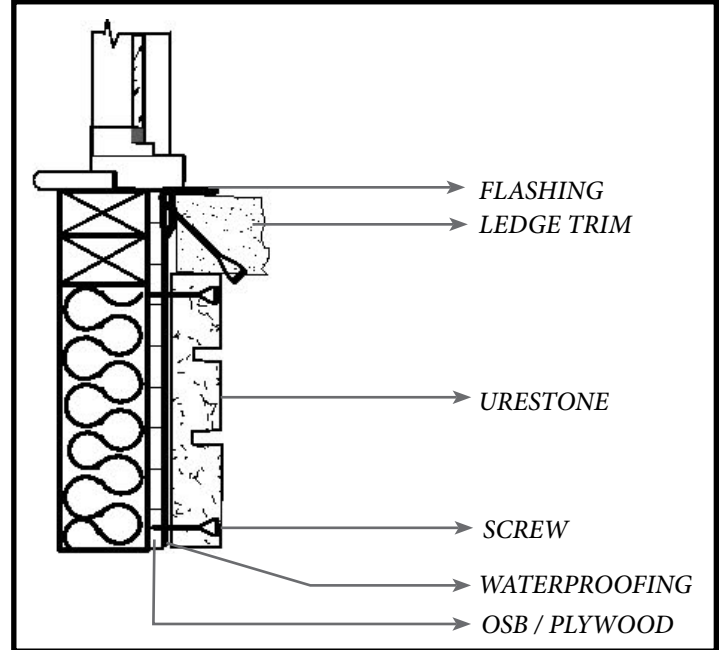
ARCHITECTURAL SPECIFICATIONS

CLADDING TRANSITION



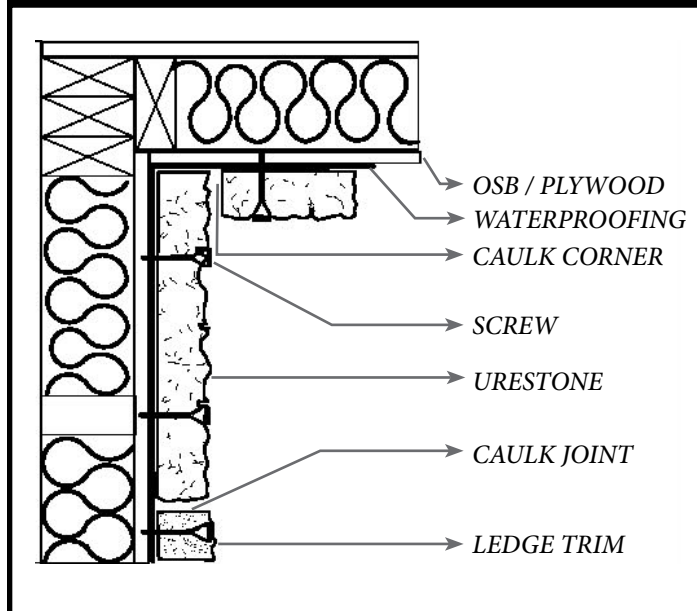
After the OSB sheathing and moisture barrier (Tyvek or similar house wrap) is applied ensure the transition point is flashed. Simply apply Urestone panels beginning at the grade and installing vertical. Simply trim excess, to allow for the ledge stone. Apply with screws and as an option: use texture caulking and paint touch up kit to apply finishing touches.

WINDOW SILL



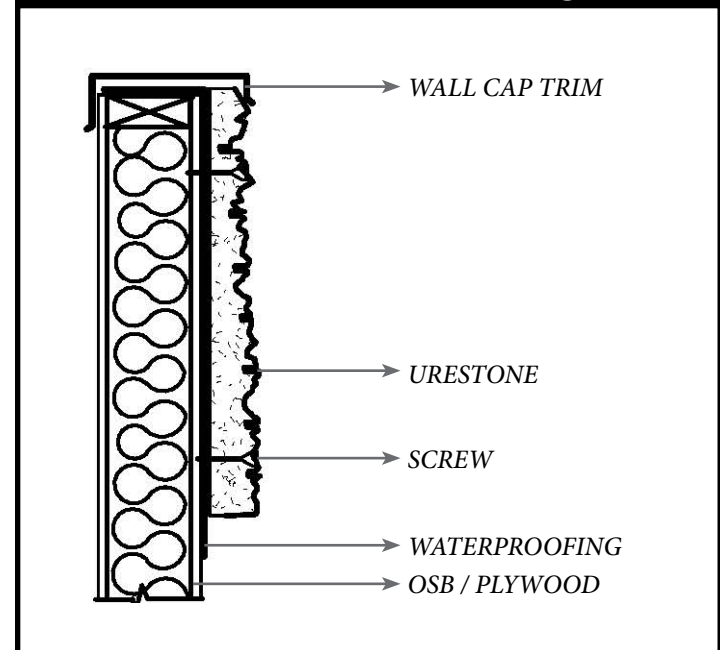
Assure flashing is attached properly and trim the ledger for proper fit. Adhere with screws (toe-nailed).

INSIDE/OUTSIDE CORNER TRANSITION



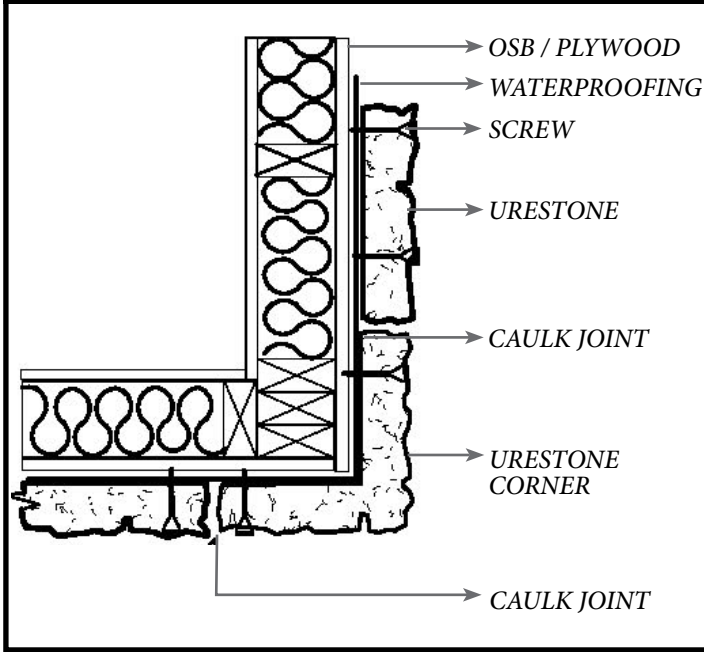
The same simple 3 step process, and then apply caulking to the corner where the panels overlap. Option: a reverse miter may be cut to ensure a tighter fit – use glue on the miter cut and caulking to finish the seam.

WALL CAP TERMINATION



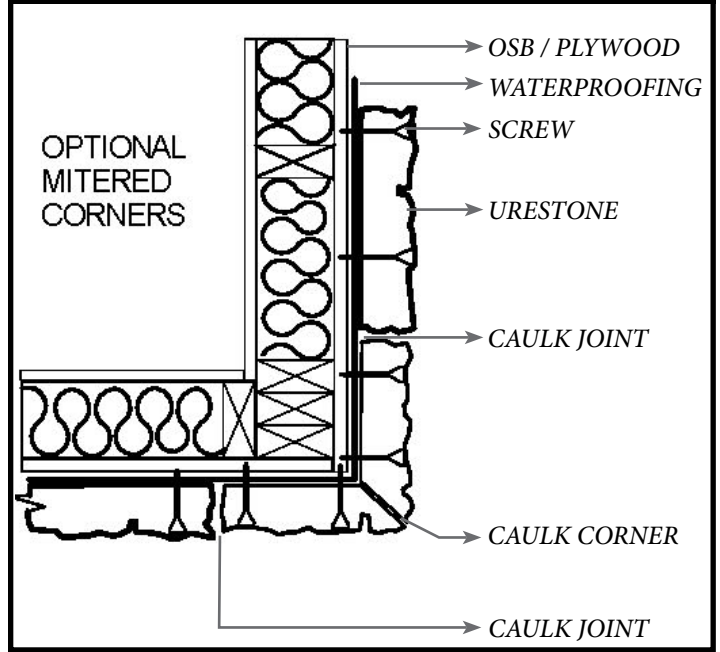
Add wall cap trim when terminated panel at the top of parapet wall.

OUTSIDE CORNER - OPTION 1



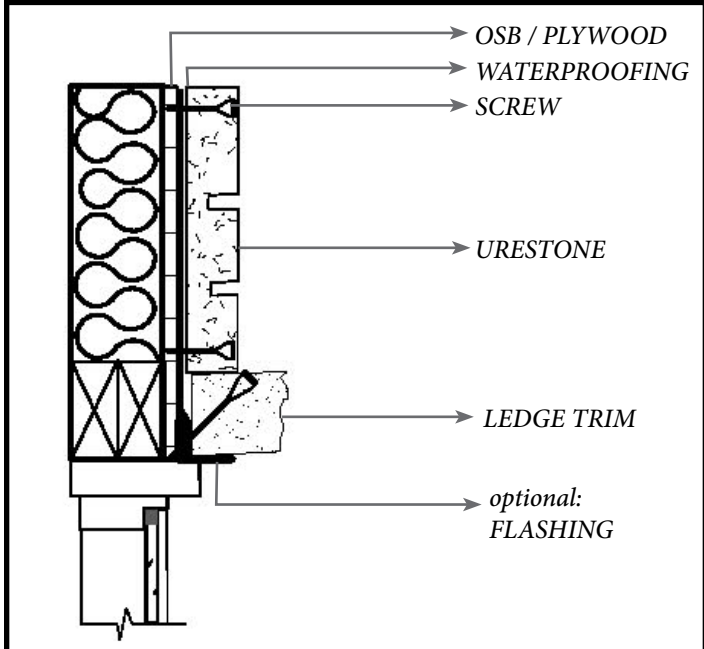
Note: Apply the corner section to the substrate (OSB, moisture barrier) using screws and simply butt the panels against the corner section as tightly as possible and adhere with screws.

OUTSIDE CORNER - OPTION 2



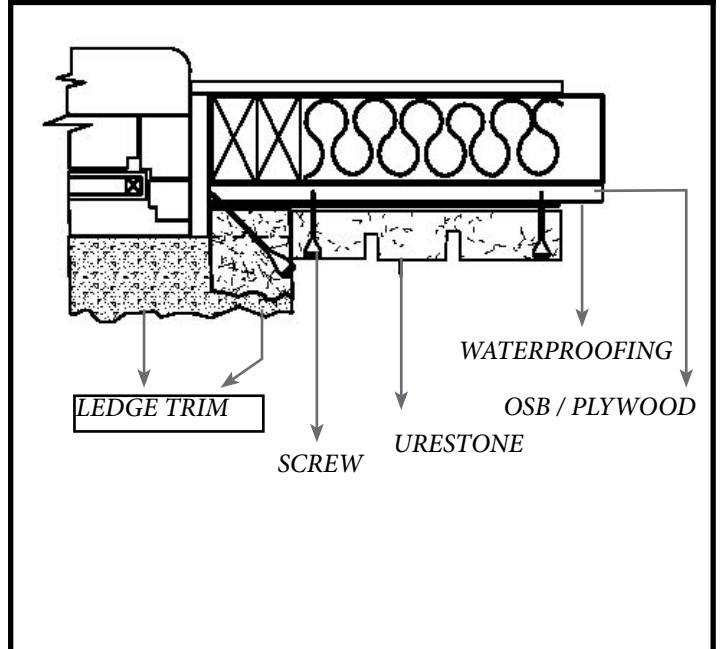
Note: Using the Urestone panel's, simply cut a miter and then use glue the miter cuts together to desired angle. Adhere the panels with screws to the substrate. Use the color matching caulk to finish the miter for a more finished appearance.

WINDOW HEAD



Apply flashing normally to the substrate then trim the ledger to fit the widow and adhere with screws. Continue the run of panels trimming for proper alignment.

WINDOW JAM



Looking down on the ledge stone – notice how the ledge stone is notched out to slide into the sill for proper fit. After the ledge is positioned in place, adhere with screws and then continue the horizontal run of the panels trimming if needed for proper fit. Ensure that the panels fit very tightly against the ledge stone. Adhere the panels with screws and use the texture caulking and touch up paint kit if needed for the finished look.